

# CC200 Dual Head Floor Grinder



Electric



Gas



Propane  
Option

**Accommodates Both  
Diamond Grinding  
Heads and Grinding  
Blocks**

**10"/12" Head Capacity**

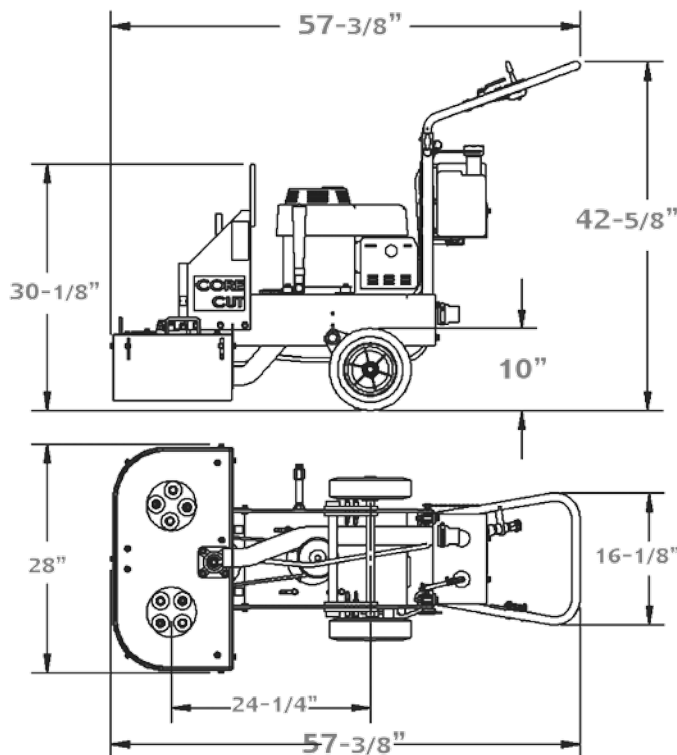
**Push**



- Remote throttle
- 2" dust port opening
- Multiple grease point
- 1/4" thick steel box frame
- Water connection
- Adjustable handles
- Multiple lifting handles and single lifting point
- Dual head allows large 24" grinding area with two 12" grinding heads
- 4 rear axle positions and swivel axle
- Matches the height of the grinding head being used and allows for rapid change in weight distribution during grinding or transport
- Can use diamond grinding head, carbide blocks or grinding stones



Optional second  
50 lbs weight for added  
performance  
Part # 2501047  
Cat # 47017



**Electric Models  
Include Starter Box**

Horsepower as rated by the engine  
manufacturer

## CC200 DUAL HEAD FLOOR GRINDER

Model #	Engine/Motor Make	Engine/Motor Power	Power Source	Part #	Cat #	Head Capacity	Product Weight (lbs)
CC210H	Honda GXV390	10.2 HP	Gas	5800537	47799	(2)10"/(2)12"	465
CC202E1	Baldor	2 HP - 1PH, 115V or 230V*	Electric	5800533	48555	(2)10"/(2)12"	510
CC275E1	Baldor	7.5 HP - 3 PH, 230 Volt	Electric	5800535	48556	(2)10"/(2)12"	560
CC275E1	Baldor	7.5 HP - 3 PH, 230 Volt	Electric	5800536A	11192	(2)10"/(2)12"	560
CC275E3	Baldor	7.5 HP - 3 PH, 460 Volt	Electric	5800536B	94965	(2)10"/(2)12"	560
CC214HY	Danfoss	14 HP - 2500 PSI, 12 GPM	Hydraulic	5800538	48558	(2)10"/(2)12"	240

NOTE: Each Floor Grinder comes with one 65 lb weight ballast (\*excludes Model # CC202E1)

Optional Second weight available

2501047

47017

---

---

\* Must specify 115V or 230V when ordering

### Propane Kit for CC213H

Part #	Cat #
6040322	10156

### Required Bracket

6043551	14589
---------	-------

## FLOOR GRINDING ACCESSORIES



**Diamond Grinding Block**

*NOTE:* Use diamond grinding blocks on dual head models only.



**Super Premium  
Diamond Grinding Block with .433"  
Segment Height**



**Carbide Cutting Block**



**Aluminum discs used with 3 grinding blocks -  
For use with two discs on dual head models only.  
Also works with competition style floor grinders.**



**10" or 12"  
Diamond Grinding Heads**